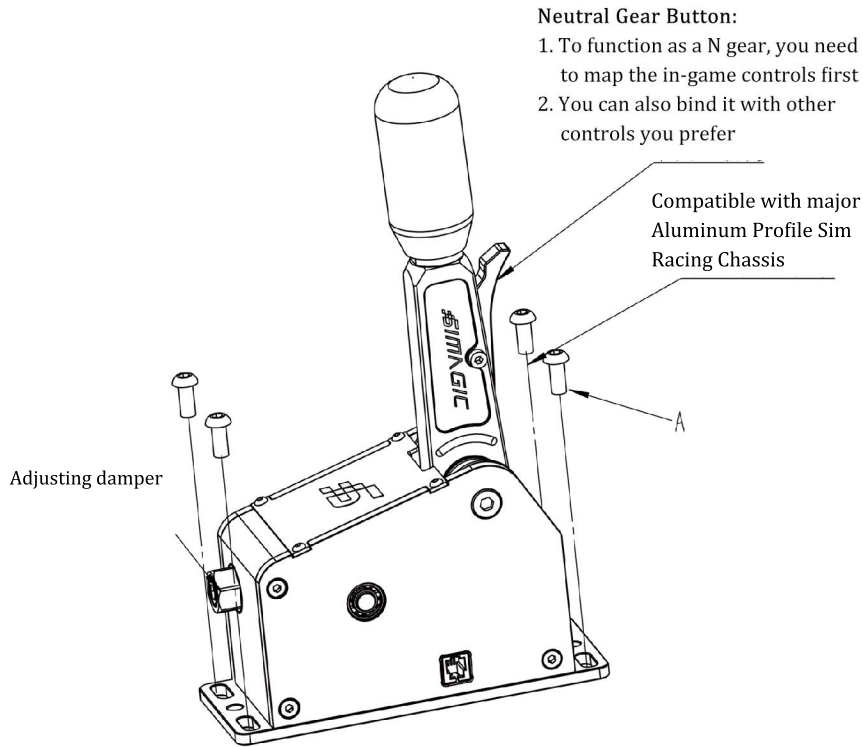
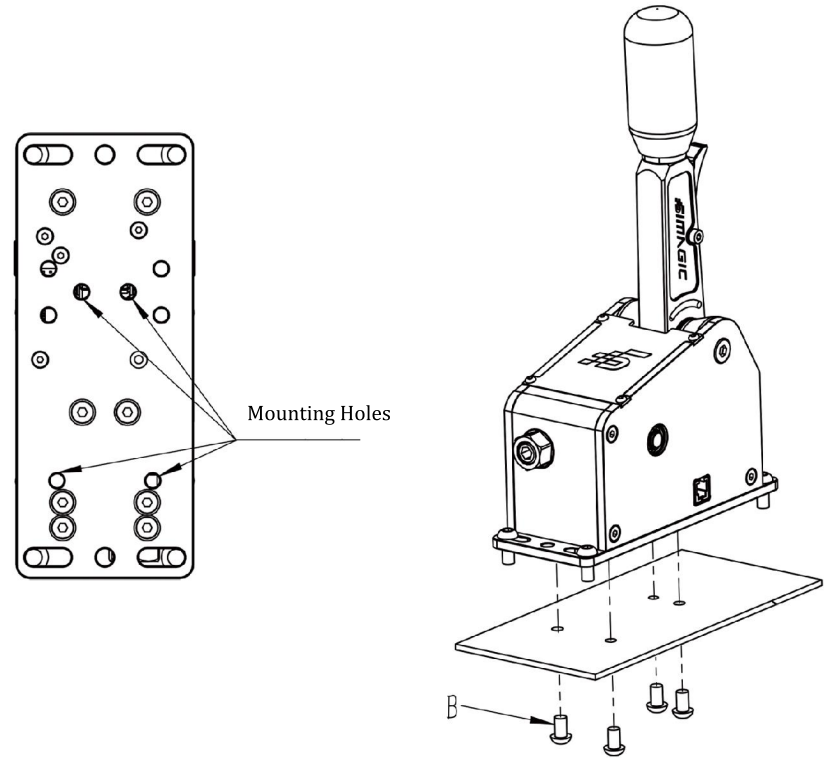




A . Round edge screw (M6-14 x4)



B . Round edge screw (M6-8 x4)



Attention:

When mounting your Q1S Sequential Shifter, Please always use the M6-8 bolts included in the package. Using bolts longer than 8 mm will crush and break the PCB (Printed Circuit Board) inside.