



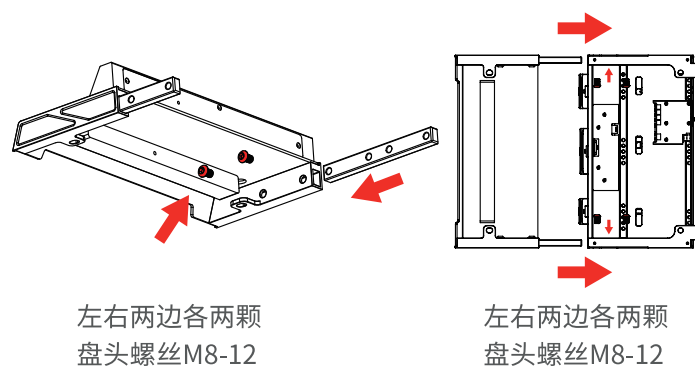
# P1000快速指南

## 1.0 配件清单

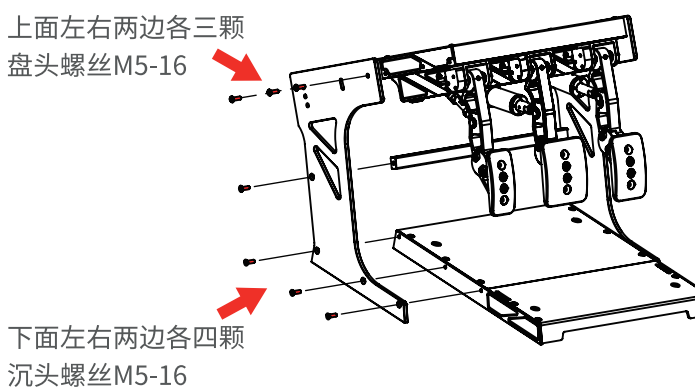
- |                                |              |
|--------------------------------|--------------|
| 全牙杯头 M8-12*4                   | 全牙杯头 M8-16*4 |
| 盘头螺丝 M8-12*8                   | 全牙杯头 M6-12*6 |
| 型材螺母 M6-40*6                   | 沉头螺丝M5-10*6  |
| 红色弹簧*1                         | M8法兰螺母*4     |
| 润滑脂*1                          | 黄色弹簧*1       |
| 5号胶柄六角扳手*1                     | 大线卡*4        |
| 12*13号开口扳手*1                   |              |
| 六角扳手*5 (2.5mm/3mm/4mm/5mm/6mm) |              |
- (P1000i 额外配件) 盘头螺丝M5-16\*6 沉头螺丝M5-16\*8

## 2.0 整体装配

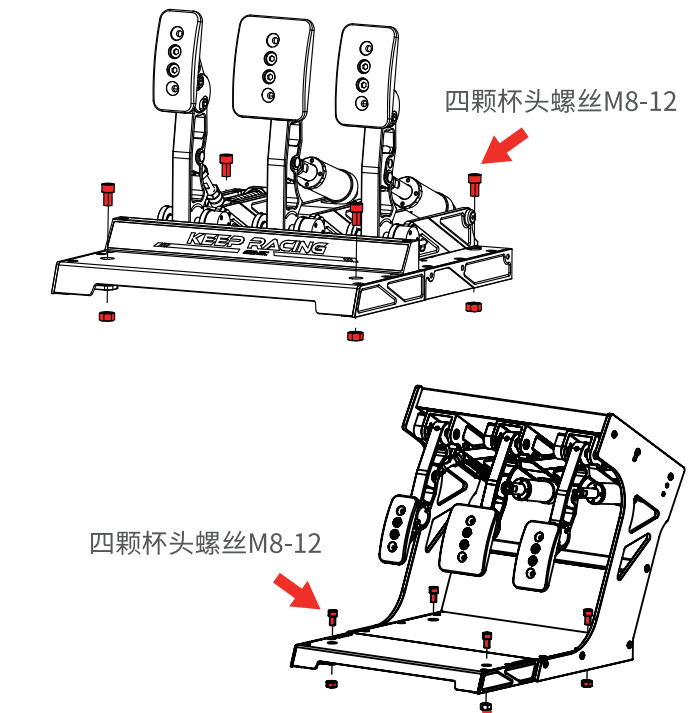
### 2.1 P1000组装底板



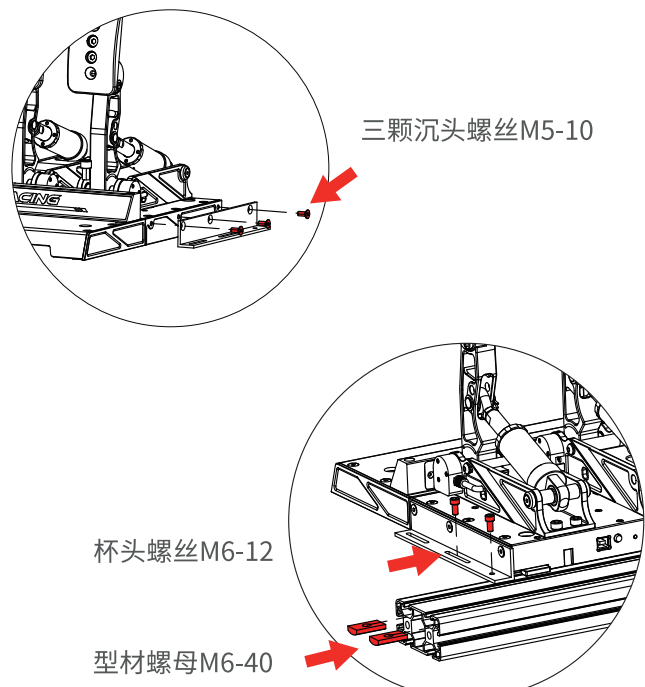
### 2.1 P1000i 装配主体



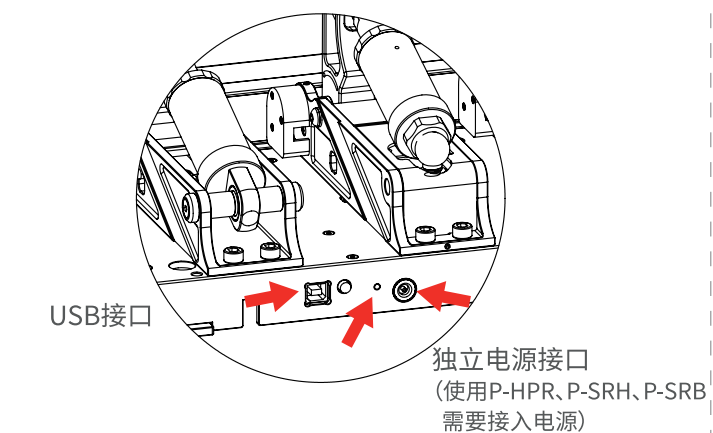
### 2.2 安装在成品支架上



### 2.3 P1000安装在型材支架上



### 2.4 连接(USB和独立电源)



### 2.5 CAN和USB切换

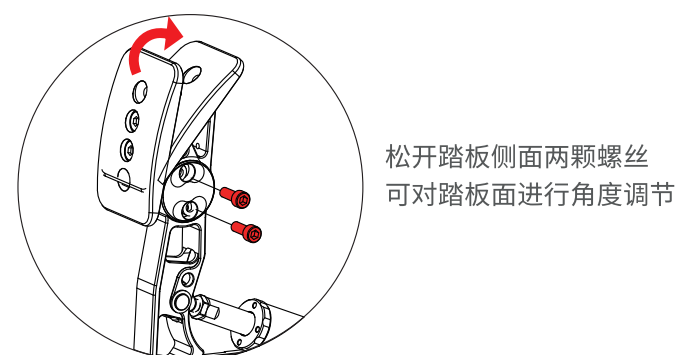
单击按钮切换踏板工作模式

当踏板接入SIMAGIC基座时切换至CAN模式 (CAN模式时指示灯为蓝色)

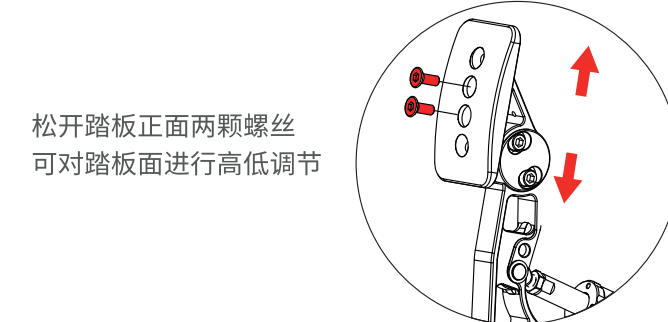
当踏板接入PC使用时切换至USB模式 (USB模式时指示灯为绿色)

## 3.0 调节

### 3.1 踏板面角度调节



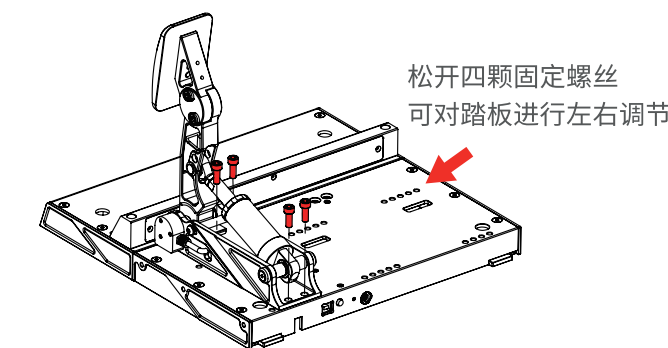
### 3.2 踏板面位置调节



### 3.3 阻脚板前后调节



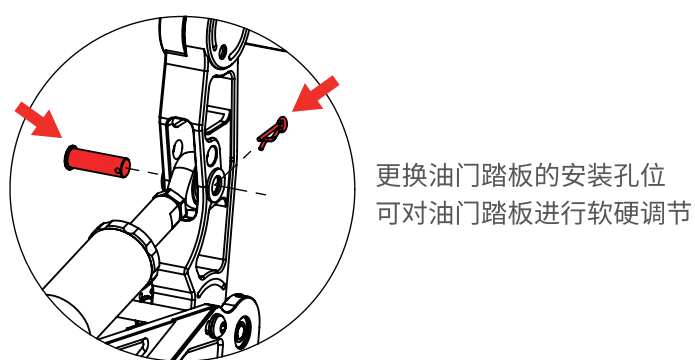
### 3.4 踏板面左右调节



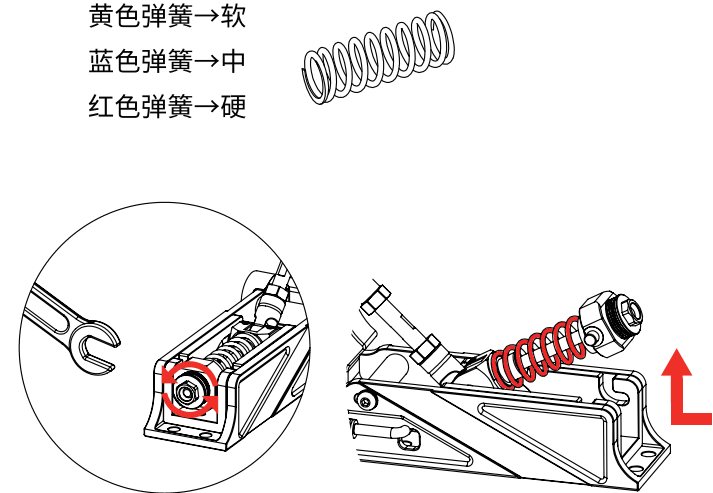
### 3.5 行程调节(底部限位螺丝)



### 3.6 油门踏板软硬调节



### 3.7 离合踏板调节及更换弹簧



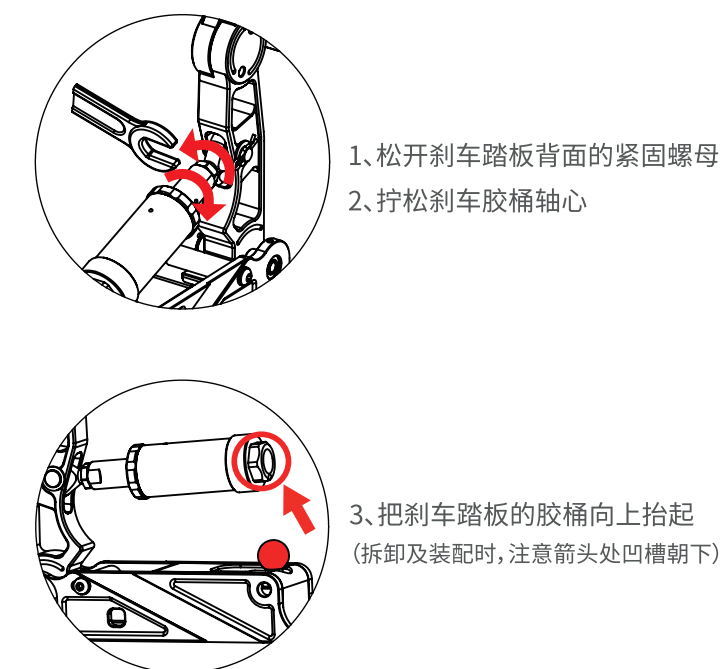
3.7.1 旋转尾部紧固螺丝可微调弹簧力度

3.7.2 更换离合弹簧

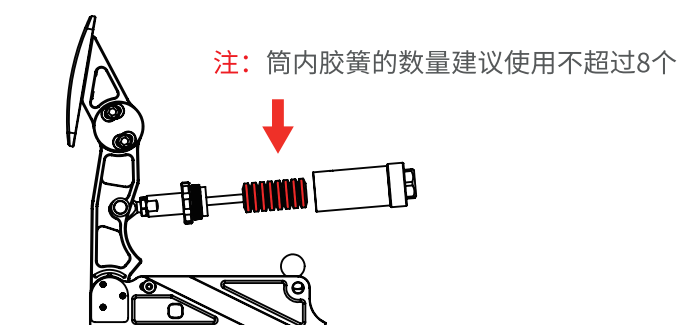
① 松开尾部紧固螺丝

② 把尾部固定装置向前并向上抬起, 可拆卸并更换弹簧

### 3.8 刹车踏板更换胶簧



硬度排序: 黑→灰→蓝→红 (由软到硬)



## 4.0 软件及应用



WWW.SIMAGIC.COM

# SIMAGIC

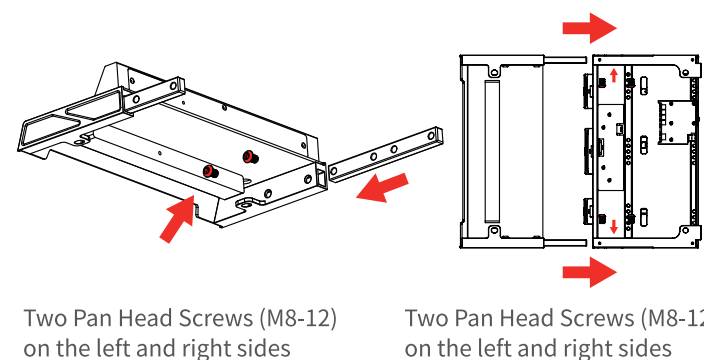
## P1000 QUICK GUIDE

### 1.0 List of accessories

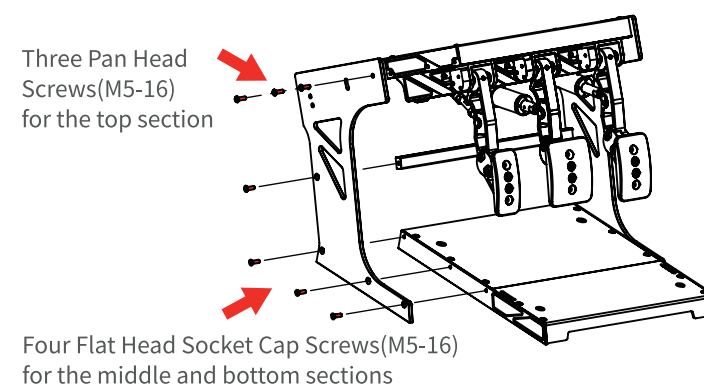
- |  |                               |
|--|-------------------------------|
| Fully-Threaded Bolt (M8-12)*4            | Fully-Threaded Bolt (M8-16)*4 |
| Pan Head Screw (M8-12)*8                 | Fully-Threaded Bolt (M6-12)*6 |
| Roll in T-nut with Ball Spring (M6-40)*6 | Flange Nut (M8)*4             |
| Flat Head Socket Cap Screw (M5-10)*6     | Red Spring*1                  |
| Lubricating Grease*1                     | Yellow Spring*1               |
| 5mm Allen Key with Rubber Handle*1       | Cable Clip*4                  |
| Allen Key*5 (2.5mm/3mm/4mm/5mm/6mm)      | 12*13mm Open spanner*1        |
- (P1000i additional accessories)  
 Pan Head Screw(M5-16)\*6 Flat Head Socket Cap Screw(M5-16)\*8

### 2.0 Overall installation instructions

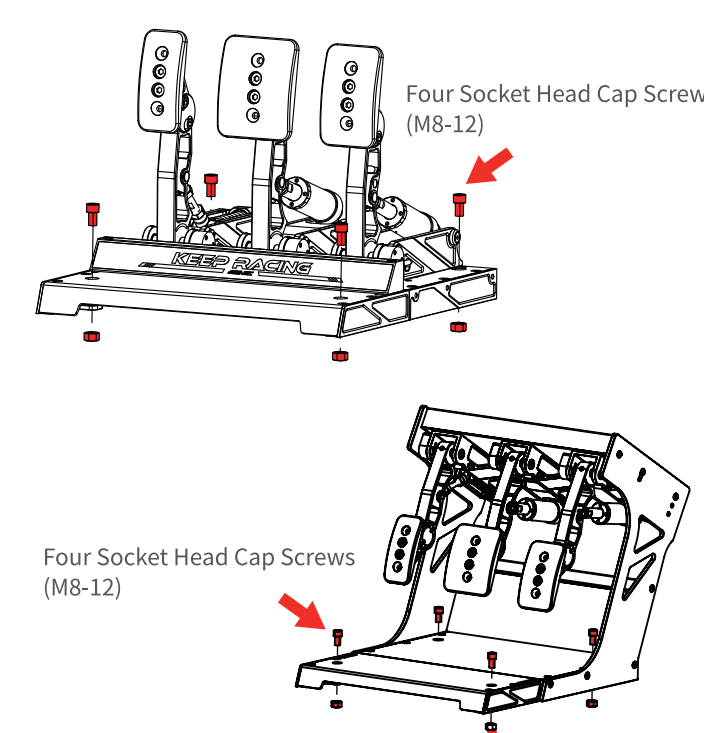
#### 2.1 P1000 base assembly



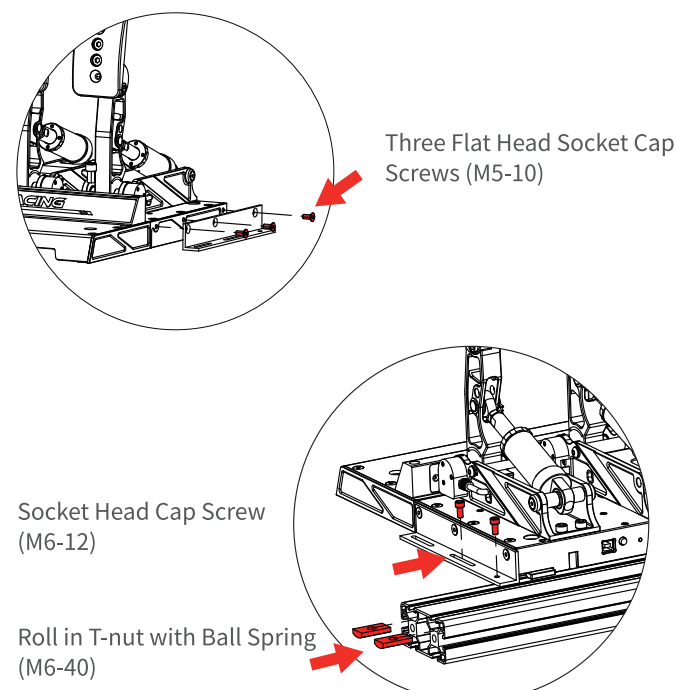
#### 2.1 P1000i inverted platform Installation



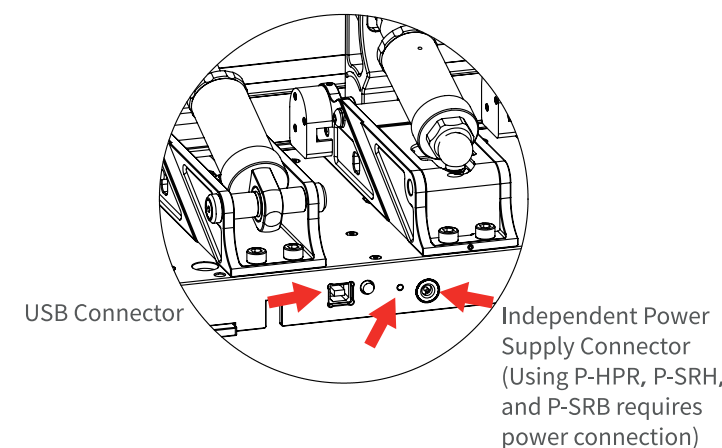
#### 2.2 Sim Rig installation



### 2.3 Installation for Customized Frames



### 2.4 Connection (USB and Independent Power Supply)



### 2.5 CAN-Bus and USB switching

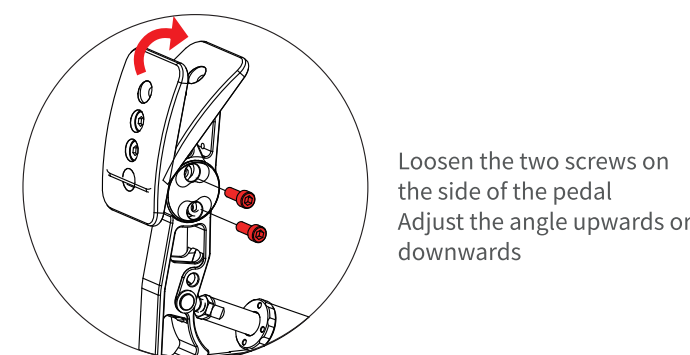
Push the button to switch the pedal connection mode

Switch to CAN-Bus mode when the pedal is connected to the **SIMAGIC WheelBase** (In CAN-Bus mode, the indicator is **blue**)

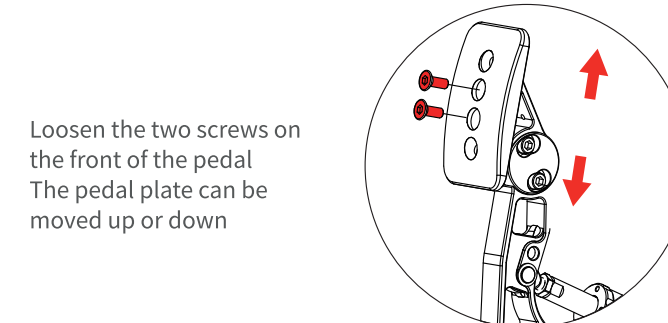
Switch to USB mode when the pedal is connected to a **PC** (In USB mode, the indicator is **green**)

### 3.0 Adjustments

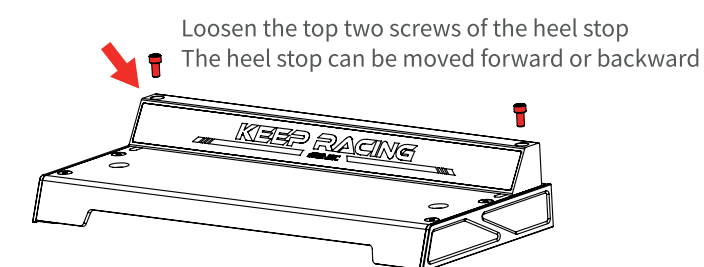
#### 3.1 Adjust the pedal face angle



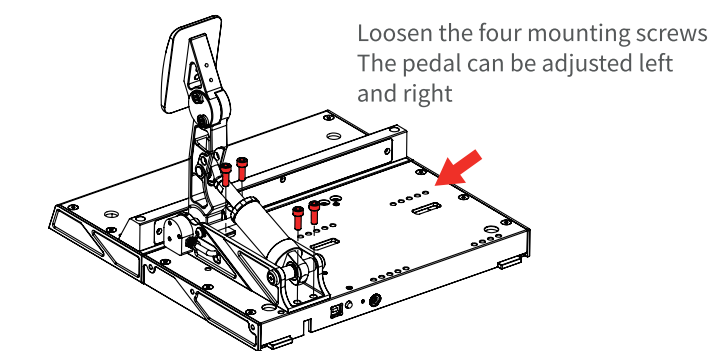
### 3.2 Pedal Plate Height Adjustment



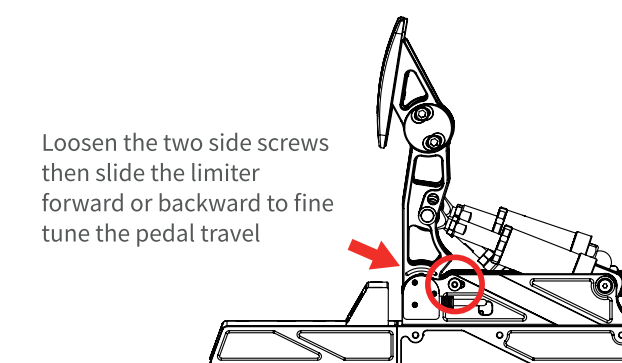
### 3.3 Heel Stop Adjustment



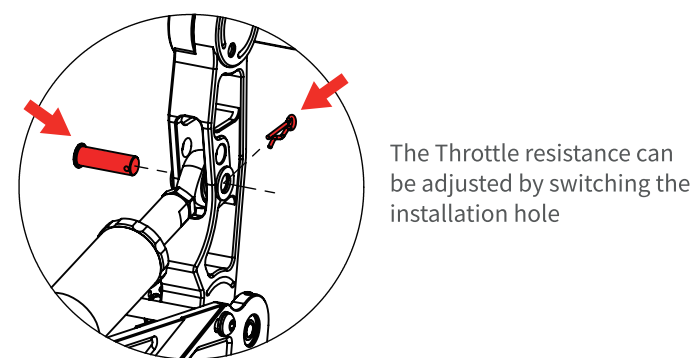
### 3.4 Adjust the Pedal Position (Left or Right)



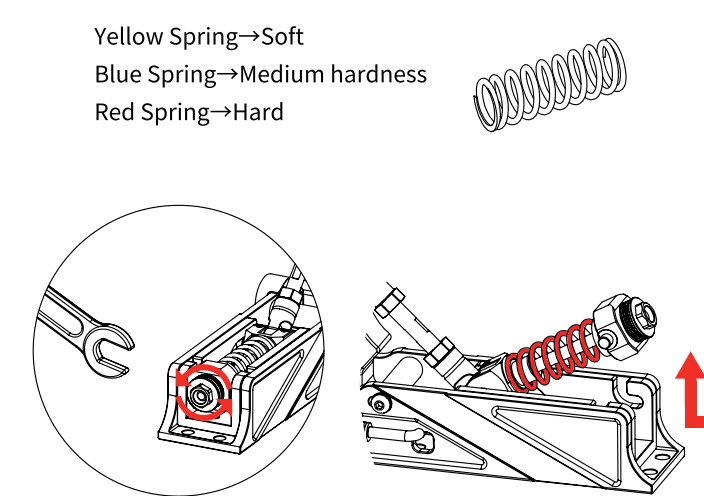
### 3.5 Travel adjustment (Bottom Limit Screws)



### 3.6 Throttle Strength Adjustment



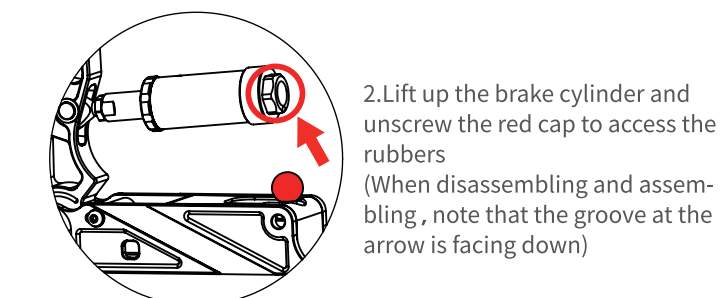
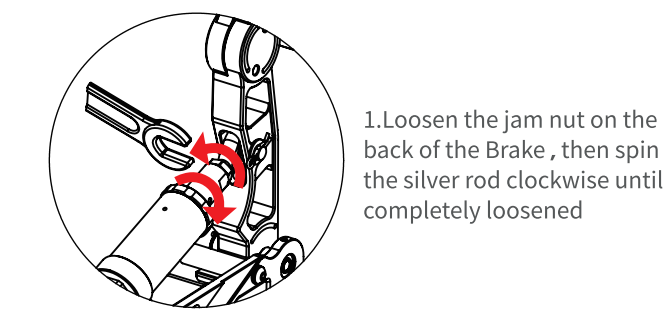
### 3.7 Clutch adjustment and spring replacement



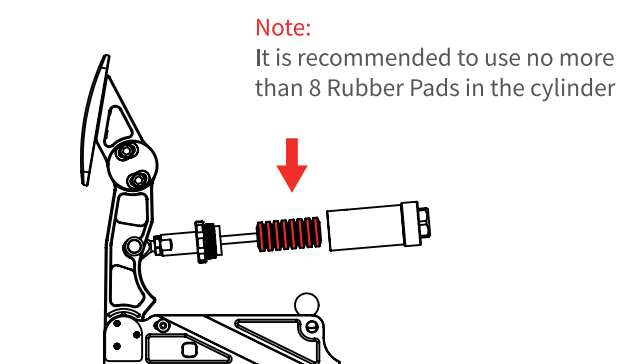
#### 3.7.1 Rotate the rear adjustable screw to fine tune the spring force

- 3.7.2 Replace the Clutch spring
- Loosen the rear adjustable screw
  - Push the tail end forward and upwards to remove and replace the spring

### 3.8 Replacing the Brake Rubbers



Hardness: black→gray→blue→red (From soft to hard)



### 4.0 Software & Applications



WWW.SIMAGIC.COM