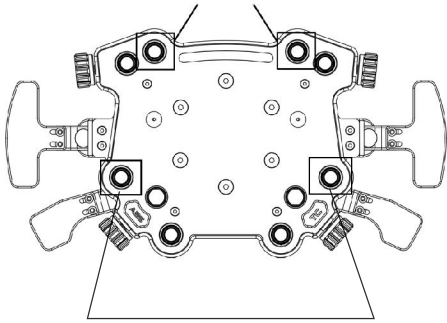


Auto-matching & Troubleshooting

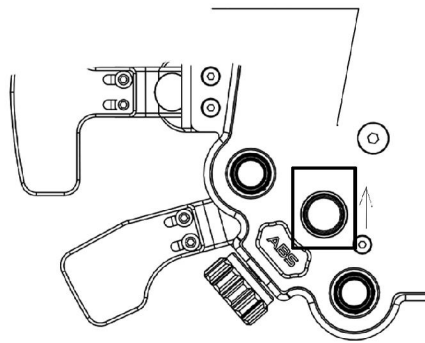
Press down the two buttons simultaneously for 5 seconds to start auto-matching



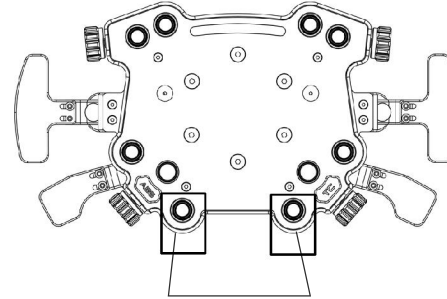
Press down the two buttons simultaneously for 5 seconds to enter Troubleshooting mode. When the mode is on, the lights keep switching to indicate a button or rotary is in working conditions or not.

Clutch Calibration Mode

Push upwards the 7-way position switch for 5 seconds to enter Clutch Calibration Mode



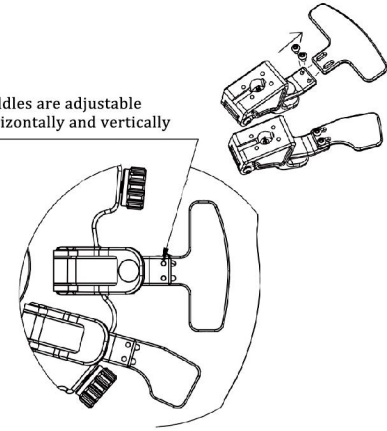
Factory Reset



Press down the two buttons simultaneously for 5 seconds to reset to factory settings (Only for the Hub ontology)

Paddle adjustments

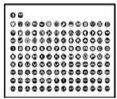
Paddles are adjustable horizontally and vertically



Hub x 1



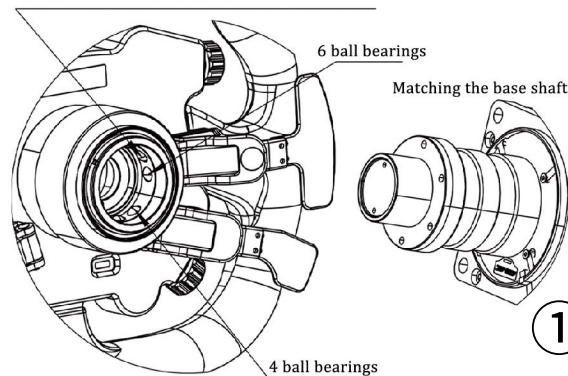
USB-C x 1



Button Stickers x 1

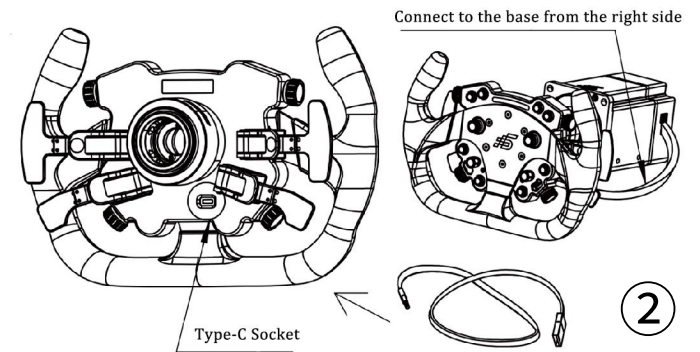
Connection between Steering Wheels and Wheelbases

The SIMAGIC Quick Release has 6 ball bearings on the upside, with 4 downside




1

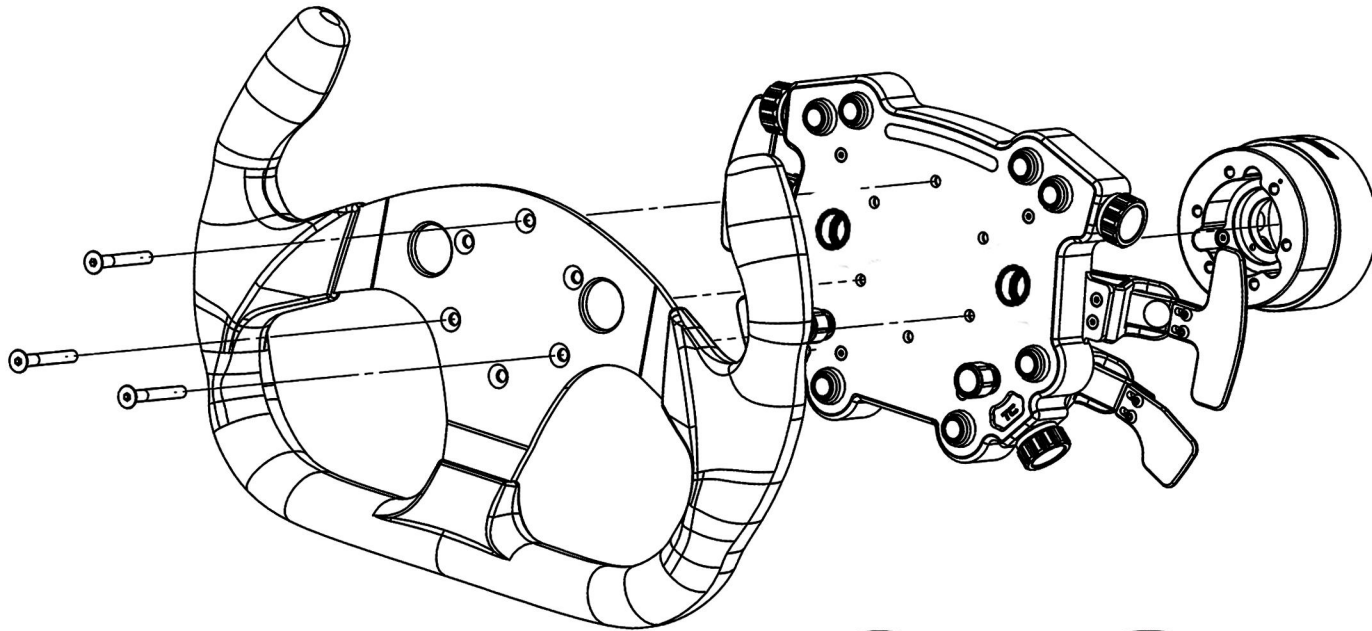
If auto-matching does not work, use an included USB-C cable to connect the steering wheel to the base from backside.



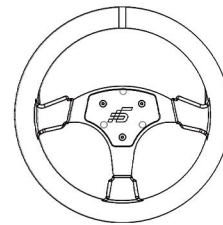
2

Fit Your Steering Wheel with The Hub

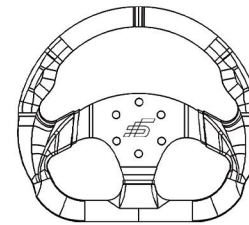
 Flatedgescrew M5-16 X6



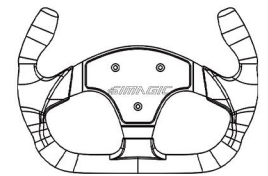
**The hub fits 320mm~350mm wheels



P-325R



P-330D



P-325C