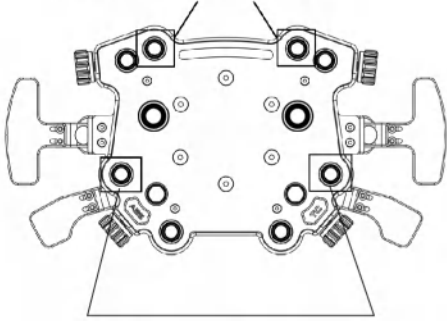


Auto-matching & Troubleshooting

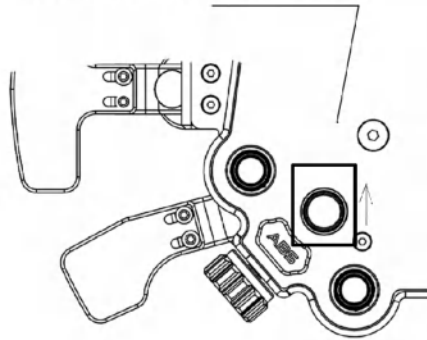
Press down the two buttons simultaneously for 5 seconds to start auto-matching



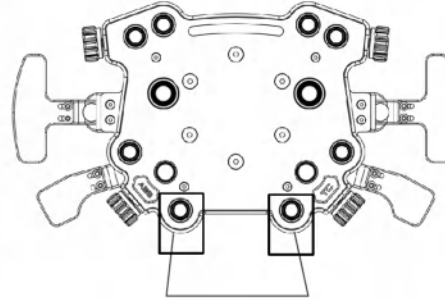
Press down the two buttons simultaneously for 5 seconds to enter Troubleshooting mode. When the mode is on, the lights keep switching to indicate a button or rotary is in working conditions or not.

Clutch Calibration Mode

Push upwards the 7-way position switch for 5 seconds to enter Clutch Calibration Mode



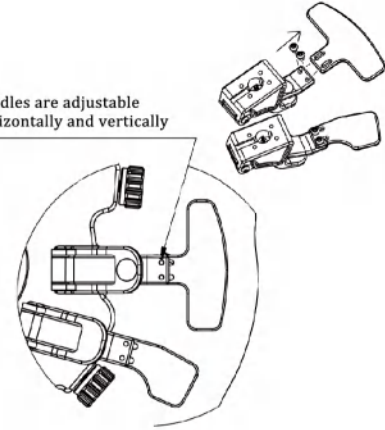
Factory Reset



Press down the two buttons simultaneously for 5 seconds to reset to factory settings (Only for the Hub ontology)

Paddle adjustments

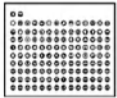
Paddles are adjustable horizontally and vertically



Hub x 1



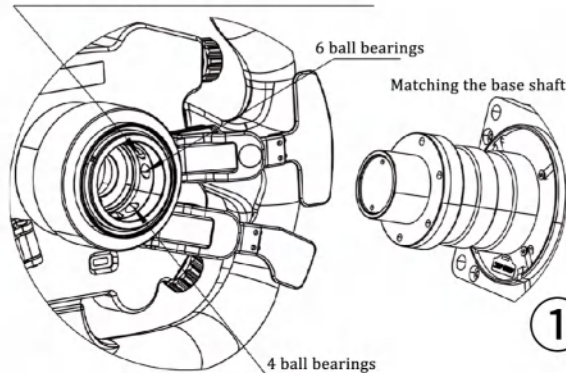
USB-C x 1



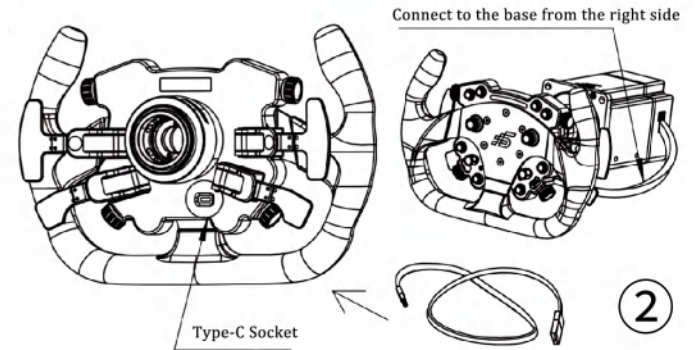
Button Stickers x 1

Connection between Steering Wheels and Wheelbases


The SIMAGIC Quick Release has 6 ball bearings on the upside, with 4 downside

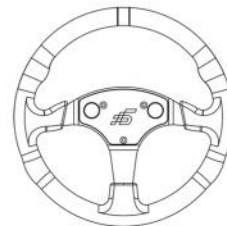
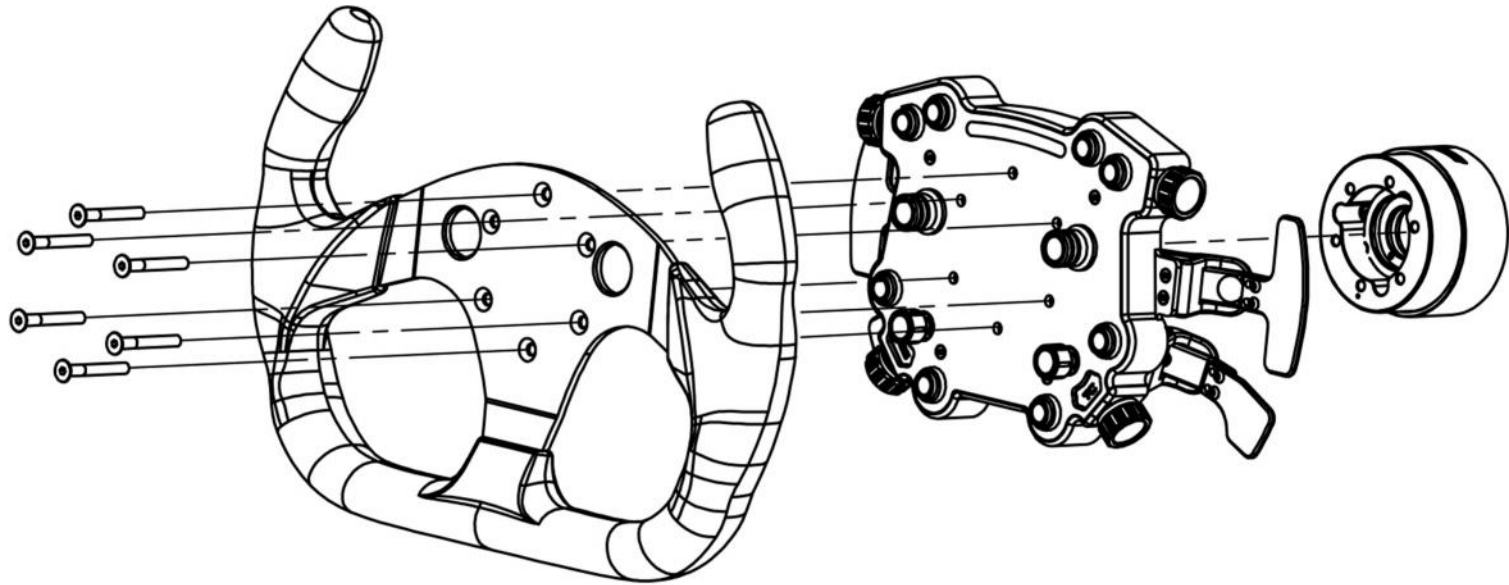


If auto-matching does not work, use an included USB-C cable to connect the steering wheel to the base from backside.

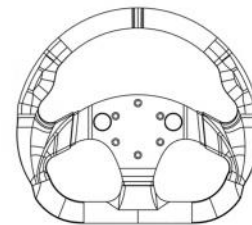


Fit Your Steering Wheel with The Hub

 Flatedgescrew M5-16 X6



P-330R(K)



P-325D(K)