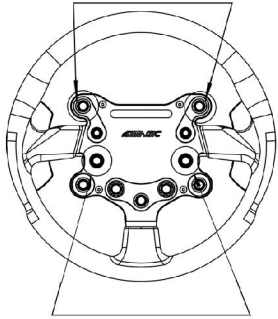


Auto-matching & Troubleshooting

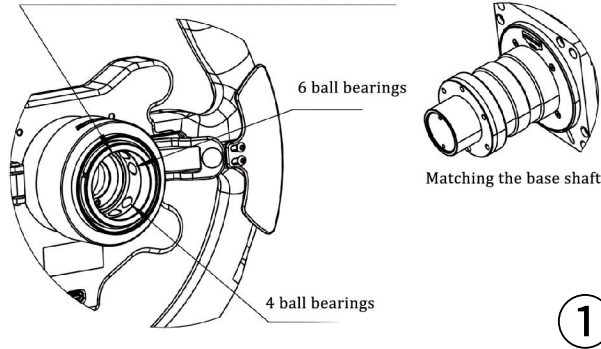
Press down the two buttons simultaneously for 5 seconds to start auto-matching



Press down the two buttons simultaneously for 5 seconds to enter Troubleshooting mode. When the mode is on, the lights keep switching to indicate a button or rotary is in working conditions or not.

Connection between Steering Wheels and Wheelbases

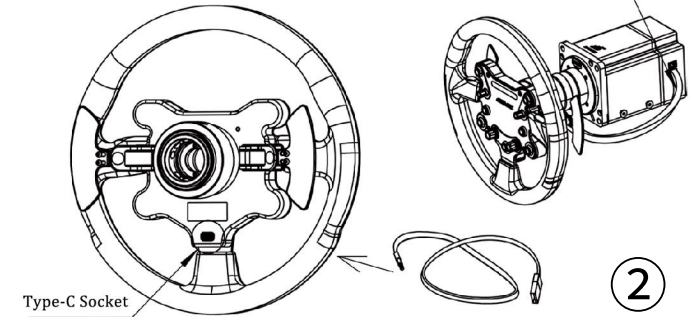
The SIMAGIC Quick Release has 6 ball bearings on the upside, with 4 downside



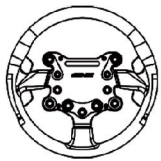
1

If auto-matching does not work, use an included USB-C cable to connect the steering wheel to the base from backside.

Connect to the base from the right side



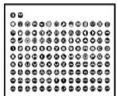
2



Steering Wheel X 1



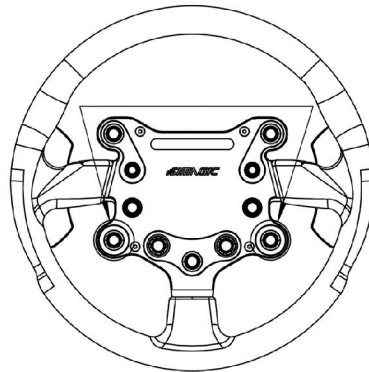
USB-C X 1



Button Stickers X 2

Factory Reset

Press down the two buttons simultaneously for 5 seconds to reset to factory settings (only for the wheel)



Paddle adjustments

Paddles are adjustable horizontally and vertically

