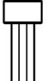


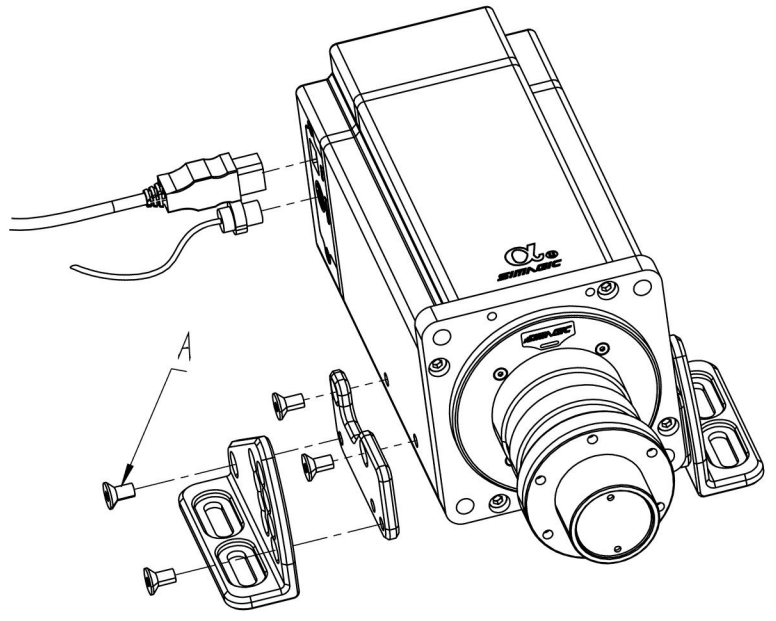
 A. Flat edge screw (M4-12 x8)

 B. Cup edge screw (M6-16 x4)

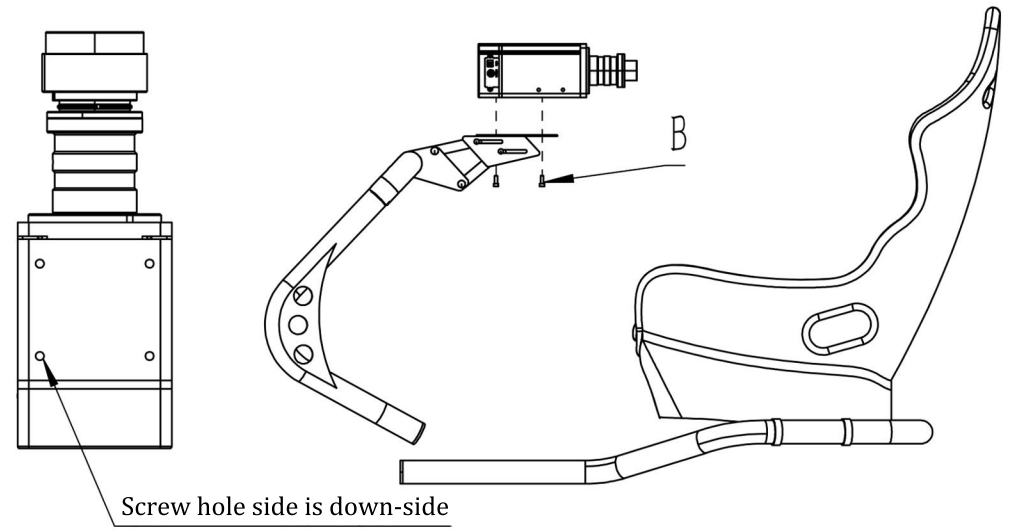
 C. Cup edge screw (M8-12 x4)

 D. screw nut (x4)

1 Demonstration of wheelbase assembly on aluminium cockpit.



2 Demonstration of wheelbase assembly on regular racing rig.



3

