



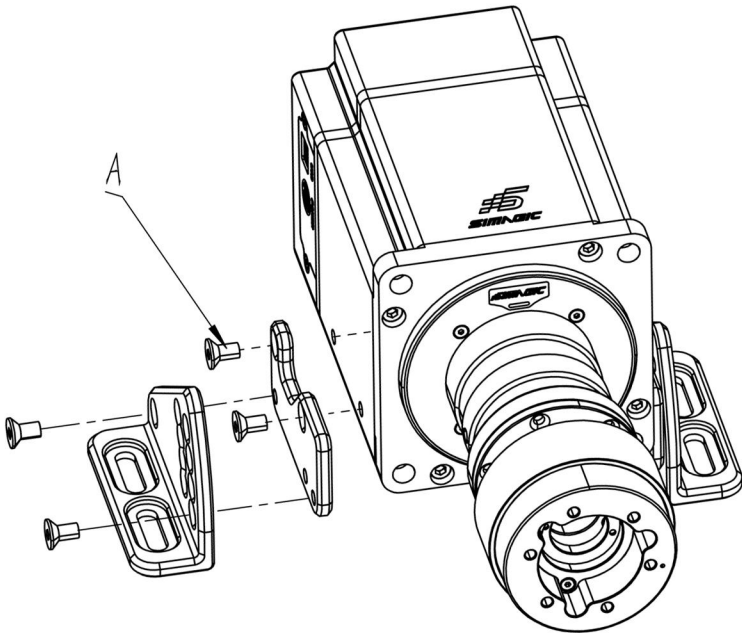
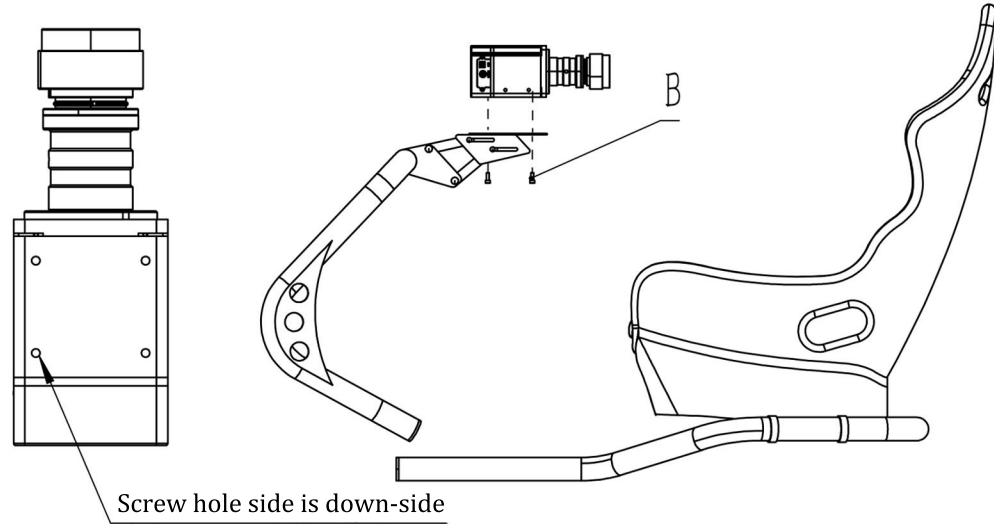


-  A. Flat edge screw (M4-12 x8)
-  B. Cup edge screw (M6-16 x4)
-  C. Cup edge screw (M8-12 x4)
-  D. screw nut (x4)

## 1 Demonstration of wheelbase assembly on aluminium cockpit.



## 2 Demonstration of wheelbase assembly on regular racing rig.



## 3

